



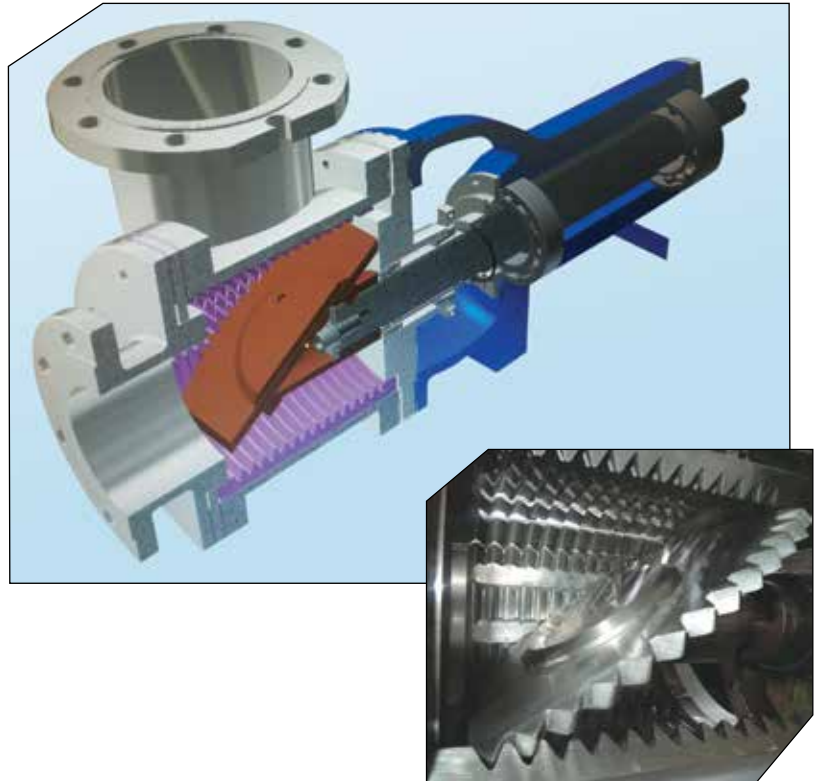
**A Versatile Machine for
Handling Liquids and Slurries**
Crushes, Mixes & Pumps in one operation

SUPERTOR



How it Works

The SUPERTOR is an all-round machine that processes liquids and slurries using a range of physical and mechanical systems. It is developed from a centrifugal pump with an inclined disc which is at an angle to the shaft instead of a normal impeller. This creates strong turbulent flows which simultaneously causes the acceleration of the medium in both the axial and in the radial direction, resulting in pumping and intense mixing of the medium. Since the rotor and the housing are equipped with teeth, the SUPERTOR can also be used for disintegration or crushing. The rotor and stator design can vary depending on the application.



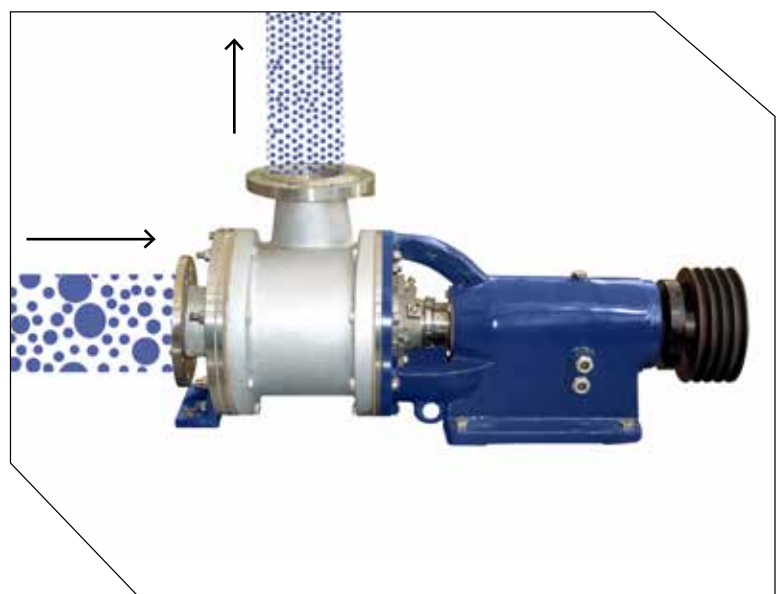
What it can do

This ability to carry out two, sometimes three unit operations makes the SUPERTOR extremely versatile and useful.

These multiple movements cause thrust and shear stress, and can create intensive mixing and conveyance depending on the chosen medium, its viscosity etc. The force of the flow moves the solids into the radial and axial groovings where they are crushed in the teeth of the rotor disc.

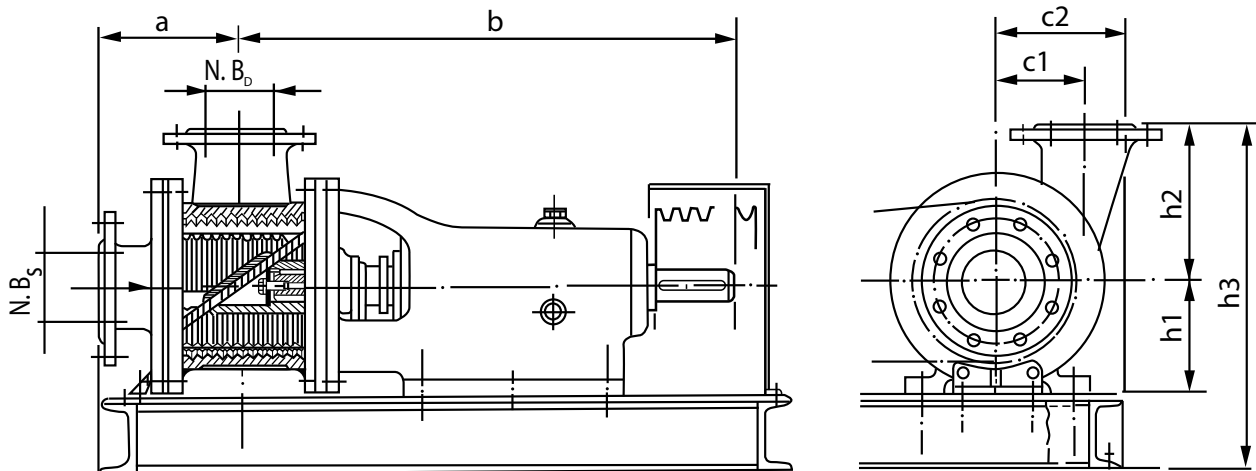
A unique feature is the ability to reduce particles to controlled sizes with standard distribution across the medium.

The SUPERTOR sizes, reduces, grinds, delumps, chops, disperses, separates, macerates and even pumps and has been installed for various slurry handling applications.



Supertor Applications

- Mixing fluids of various viscosities
- Dispensing of pigments to produce colour
- Rapid homogenisation and slurry formation from wet cake
- Processing of pulp and black liquor in the paper industry
- Mixing & crushing of liquid and paste like waste materials
- Surface enlargement through reduction in grain size for the dissolving process to reduce the dissolving time
- Crushing of coke particles in thick tar in coking plant ancillaries
- Increasing productivity and through put of spray dryers
- Efficient and rapid washing of filter cakes, also increasing reaction rate
- Waste cut treatment in the manufacture of fibre cement
- Diverse extractions for manufacturing essences
- Mixing & homogenising of spice extracts
- Prevention of choking and clogging of pipelines
- Clay & Silica application
- Starch manufacture
- Rapid dissolution of difficult-to-dissolve solids
- Maceration



Details of **SUPERTOR**

DIMENSIONS

Type	N.B _s	N.B _d	a	b	c1	c2	h ₁	h ₂	h ₃
22	100	100	203	707	125	180	160	225	497
25	150	150	230	797	130	250	200	260	572
33	200	200	311	1070	150	320	280	300	692

SPECIFICATIONS

Type	Speed RPM	Power Consumption - KW	Output m ³ /h	Max Head Column of Water
22	800-2300	5.5-30	3-50	max 4-5 m
25	700-2000	7.5-45	5-100	max 5-6 m
33	500-1400	15-75	10-300	max 5-6 m



Supertor is useful in the following industries:

- Dyestuff Industry
- Pigment Industry
- Pharmaceutical Industry
- Detergent Industry
- Polymer Industry
- Adhesive Industry
- Paper & Pulp Industry
- Rubber Industry
- Spices Industry
- Ceramic Industry



Dalal offers a variety of technologies and machines for a diverse range of industrial applications. Our highly qualified team of trained engineers, our facilities for designing, manufacturing and testing equipment and our partnerships with global leaders in different fields enable us to provide cutting edge solutions to various industry segments. Continuous innovation and upgradation is our hallmark.

At Dalal, we don't sell machines, we provide solutions.

Head Office

Dalal Engineering Pvt. Ltd.
36-37, Jolly Maker Chambers II,
Nariman Point,
Mumbai 400 021
Tel. No. (91-22) 2202 4046/ (91-22) 2202 4134
E Mail: office@dalalengineering.com

Factory

Dalal Engineering Pvt. Ltd.
Kavesar Village,
Thane-Ghodbunder Road
Thane- 400 615
Tel. No. (91-22) 2597 6201/ 02 /05
E Mail: sales@dalalengineering.com

www.dalalengineering.com